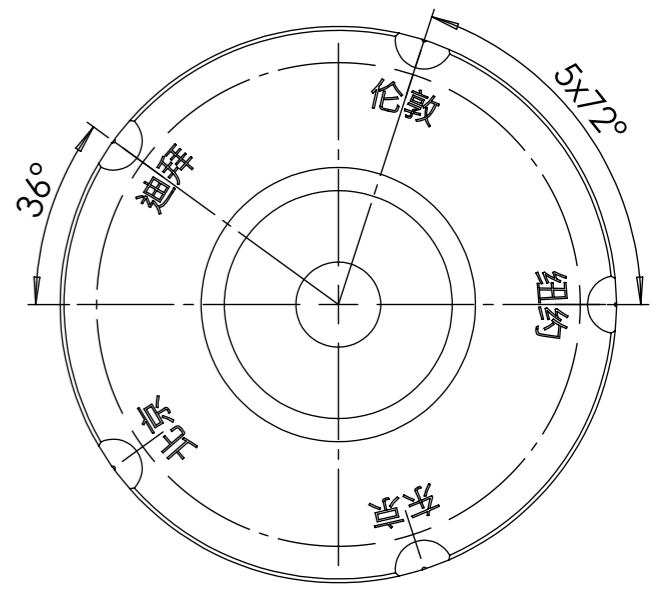
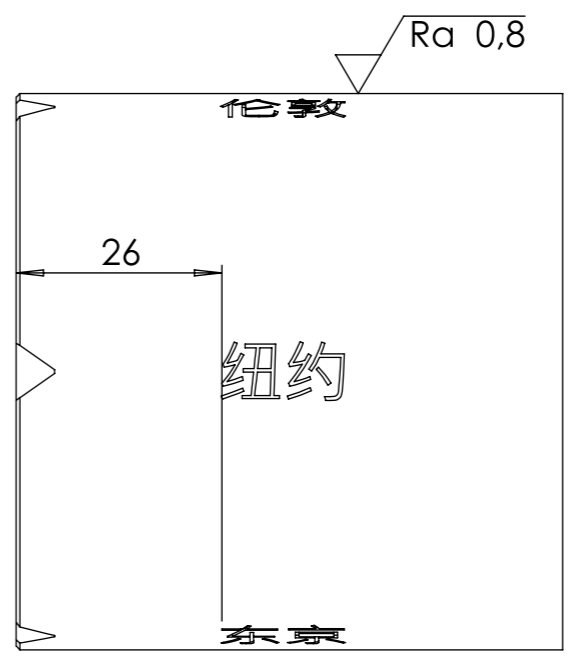
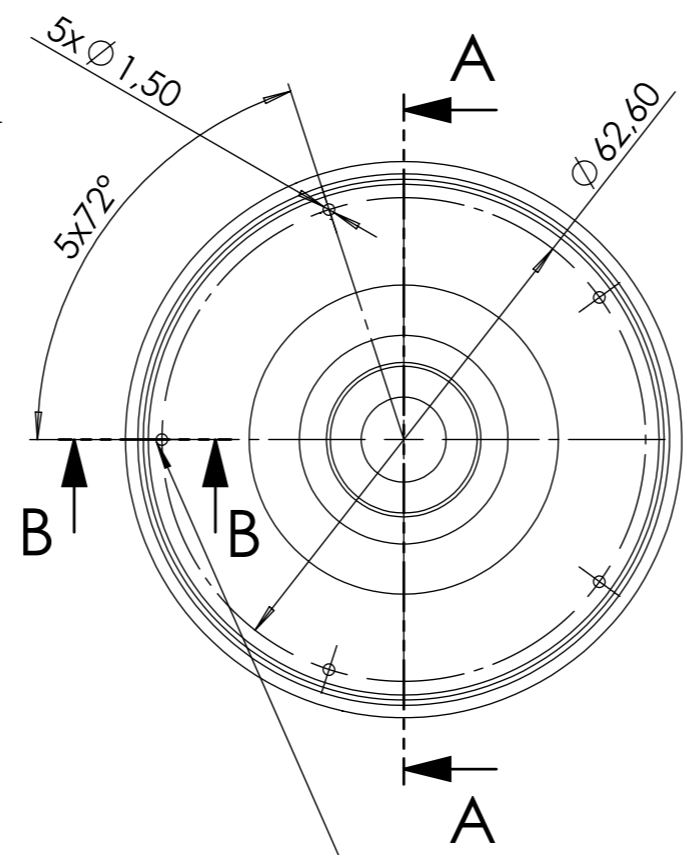
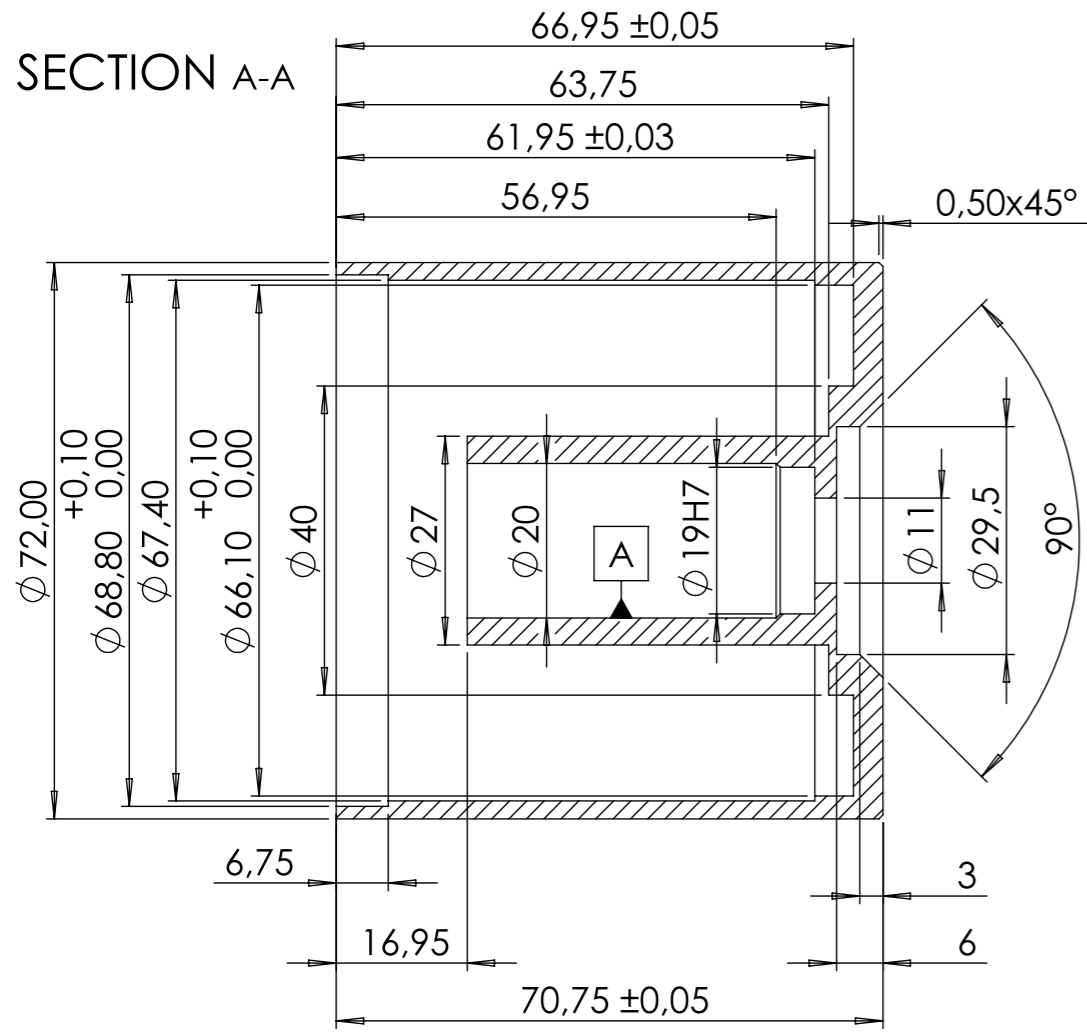


NIXIE TIME ZONE CLOCK V2 CUSTOMIZED DRUM ENGRAVING

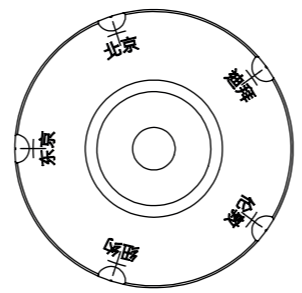
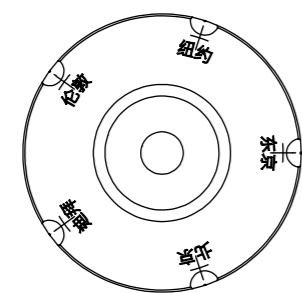
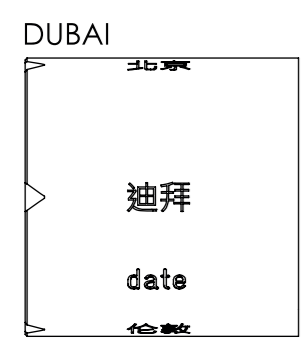
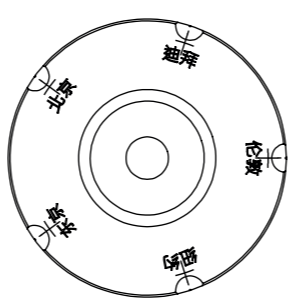
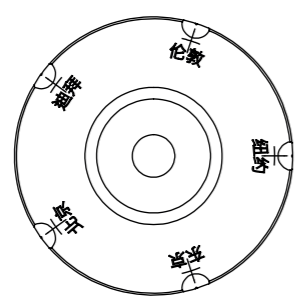
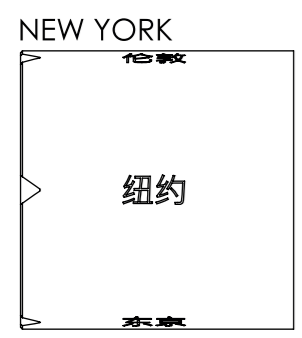
Personalize your table clock with a customized engraving on the drum. Instead of the original city sequence, choose 5 different city names or anything else, like names of your family and friends, geographic coordinates or another language. See next pages for some examples.



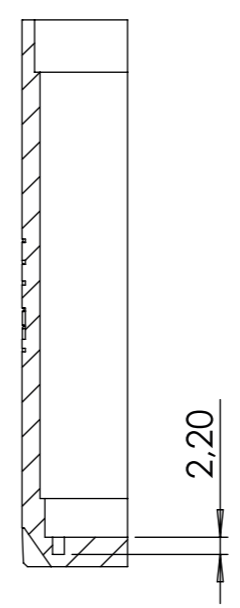
55® by ADATTE DESIGN



This bore must be always at the same place according to the engraving

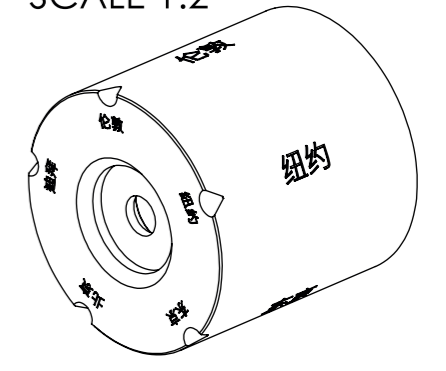


SECTION B-B



Engraving depth 0,4mm
Engraving color: Vernis Orange Pantone 1655U

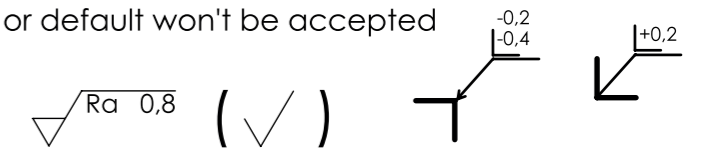
SCALE 1:2



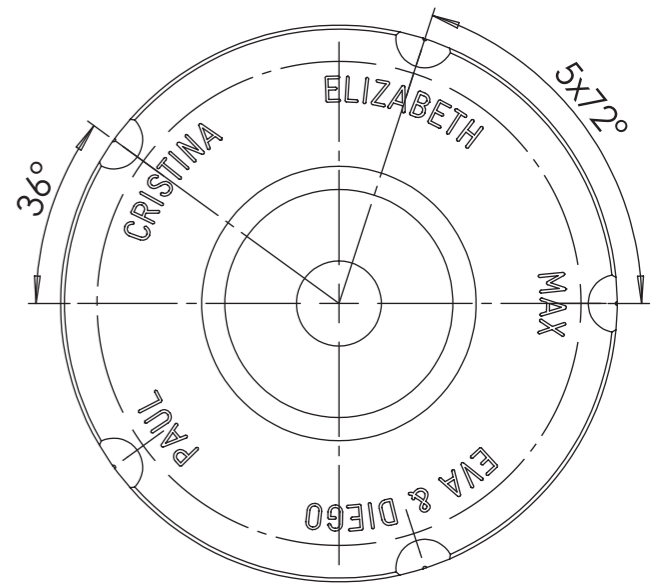
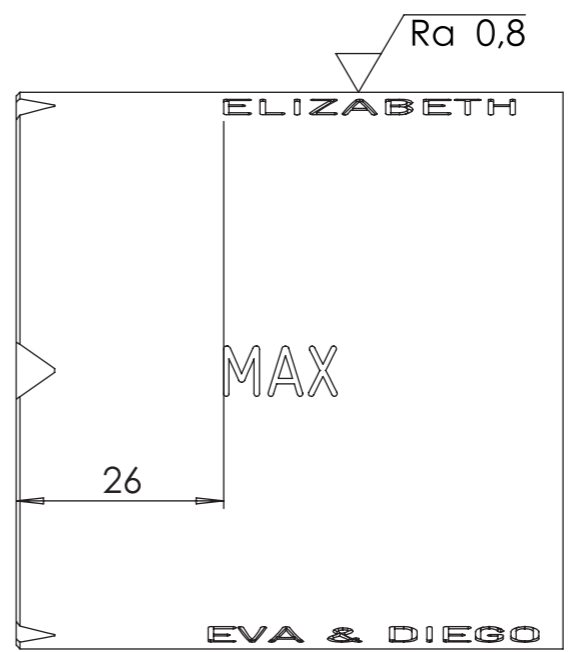
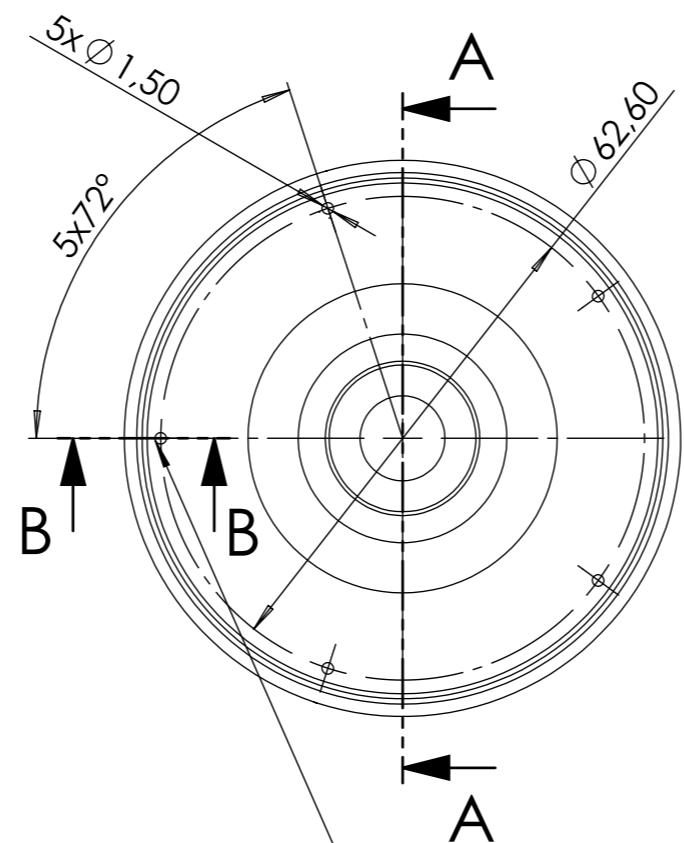
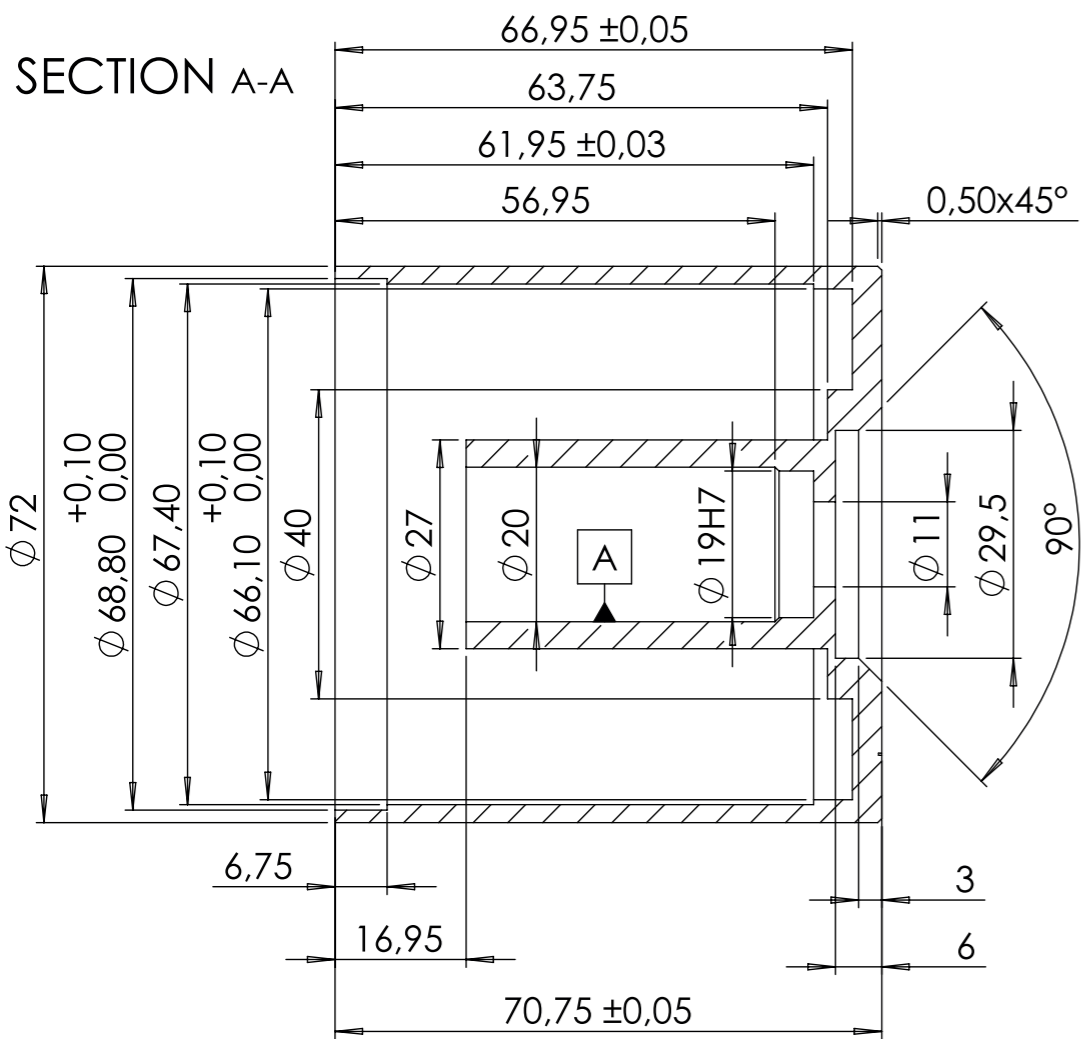
All diameters:

◎ 0.05 A

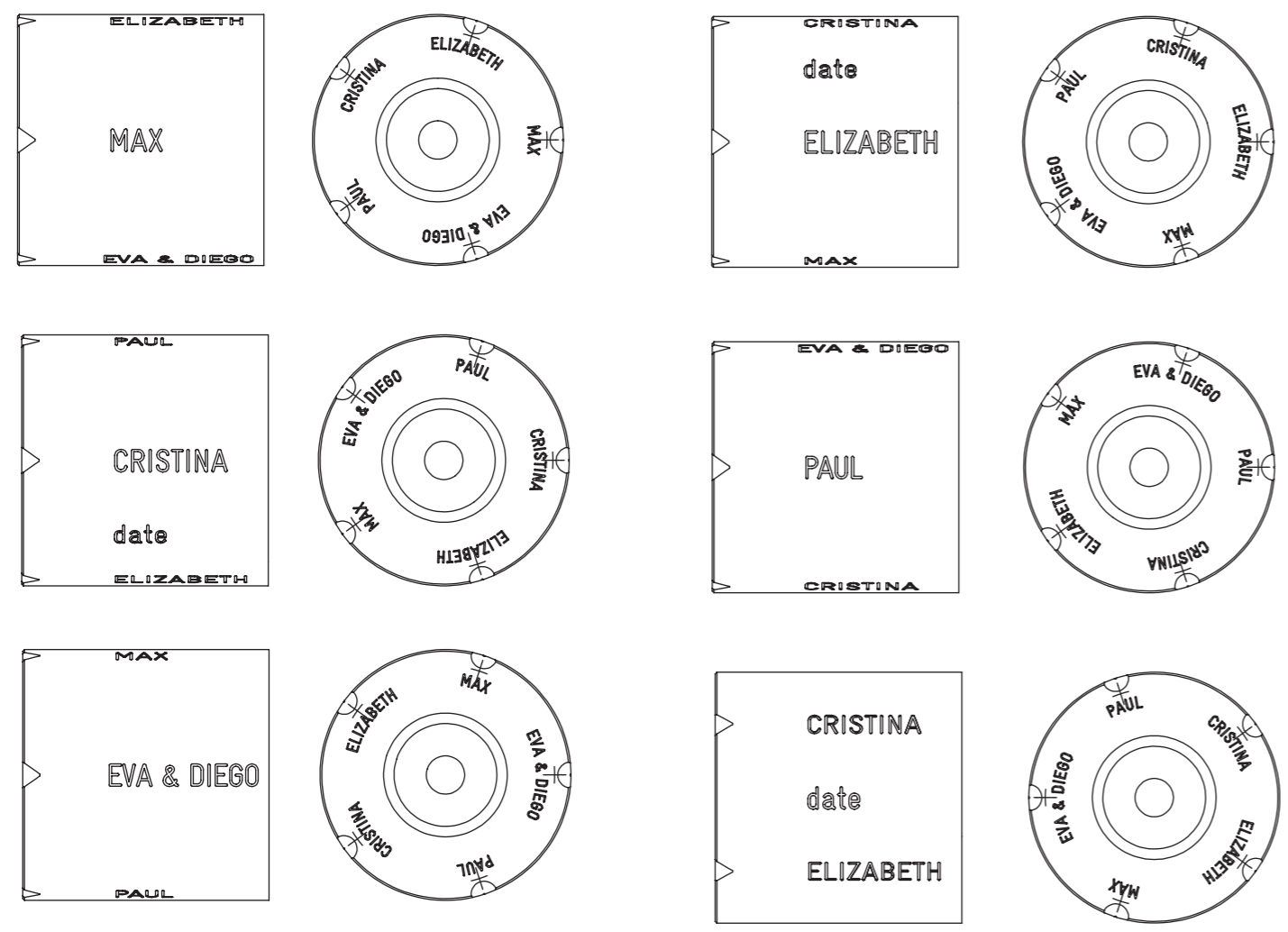
The part must have a perfect aspect. Any marks or default won't be accepted



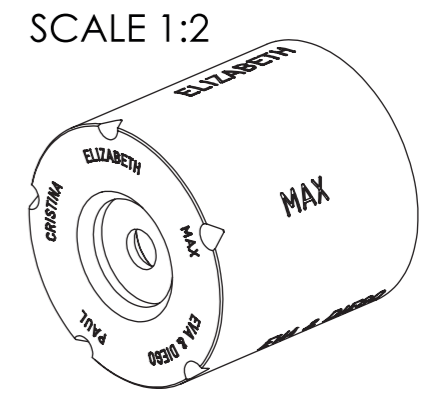
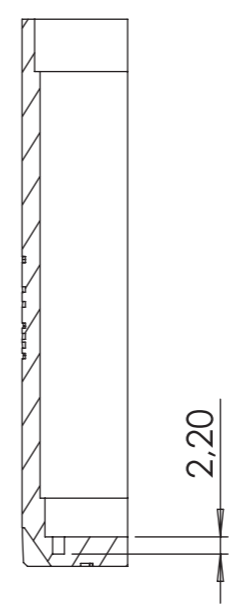
CLIENT:	PIECE NAME: EX_CHINESE		
UNIT: mm	MATERIAL: CuZn39Pb3	QUANTITY: 1x	SHEET SIZE: A3
SCALE: 1:1	DRAWN BY: LM	GENERAL TOLERANCES: ISO 2768-mK	
PAGE N°: D00_ADNTV2	ADATTE DESIGN Avenue du Léman 55, 1005 Lausanne - Switzerland +41(0)21 711 26 01 info@adattedesign.ch	MOD:	a b c d



This bore must be always at the same place according to the engraving



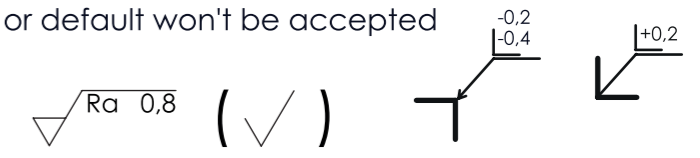
SECTION B-B



All diameters:

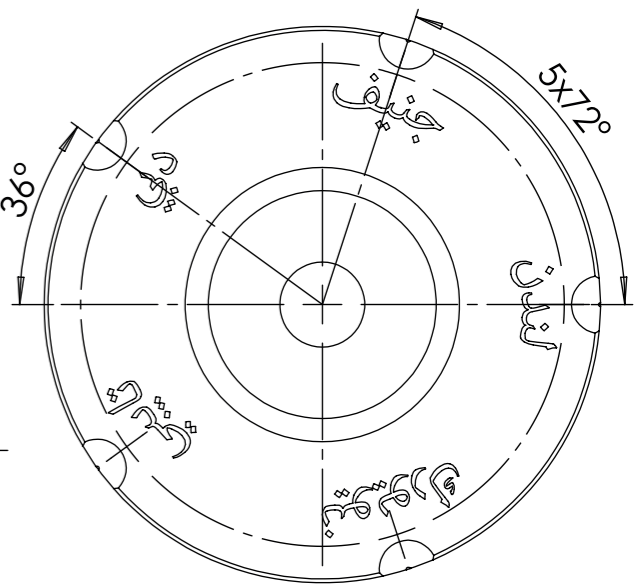
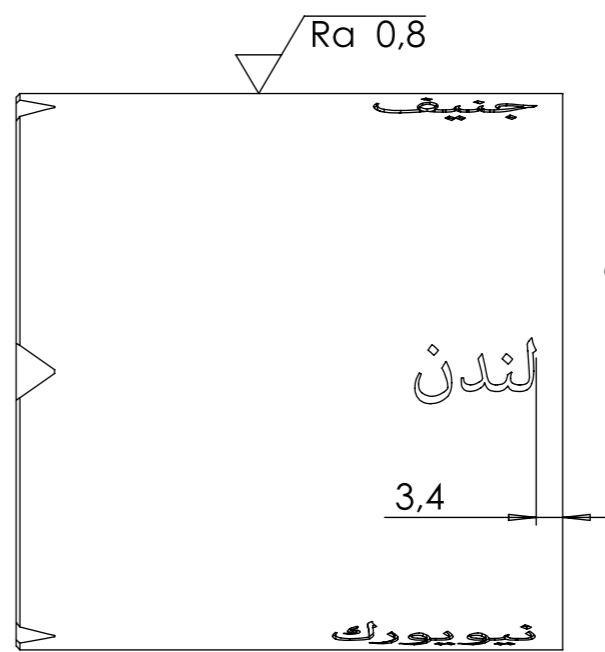
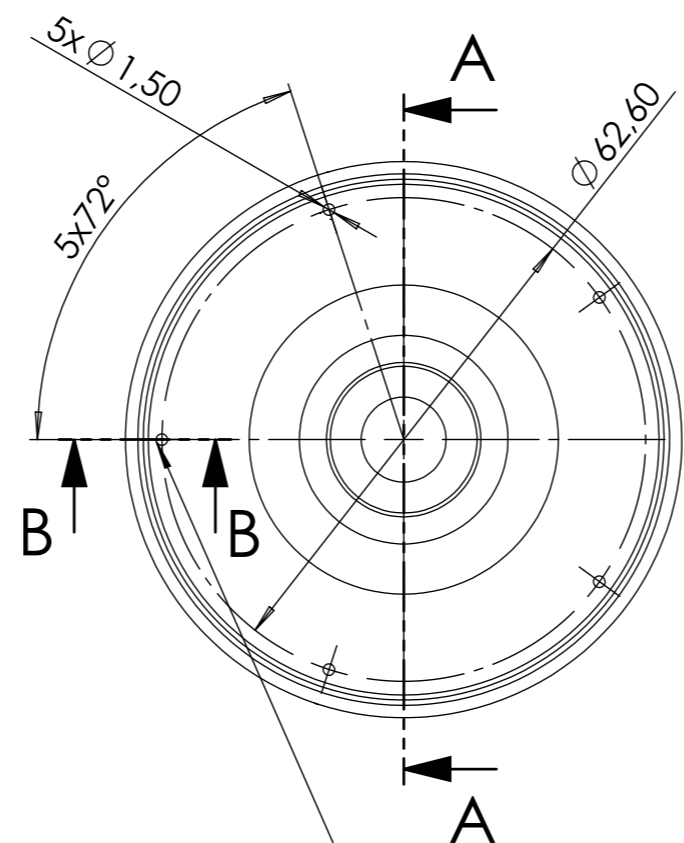
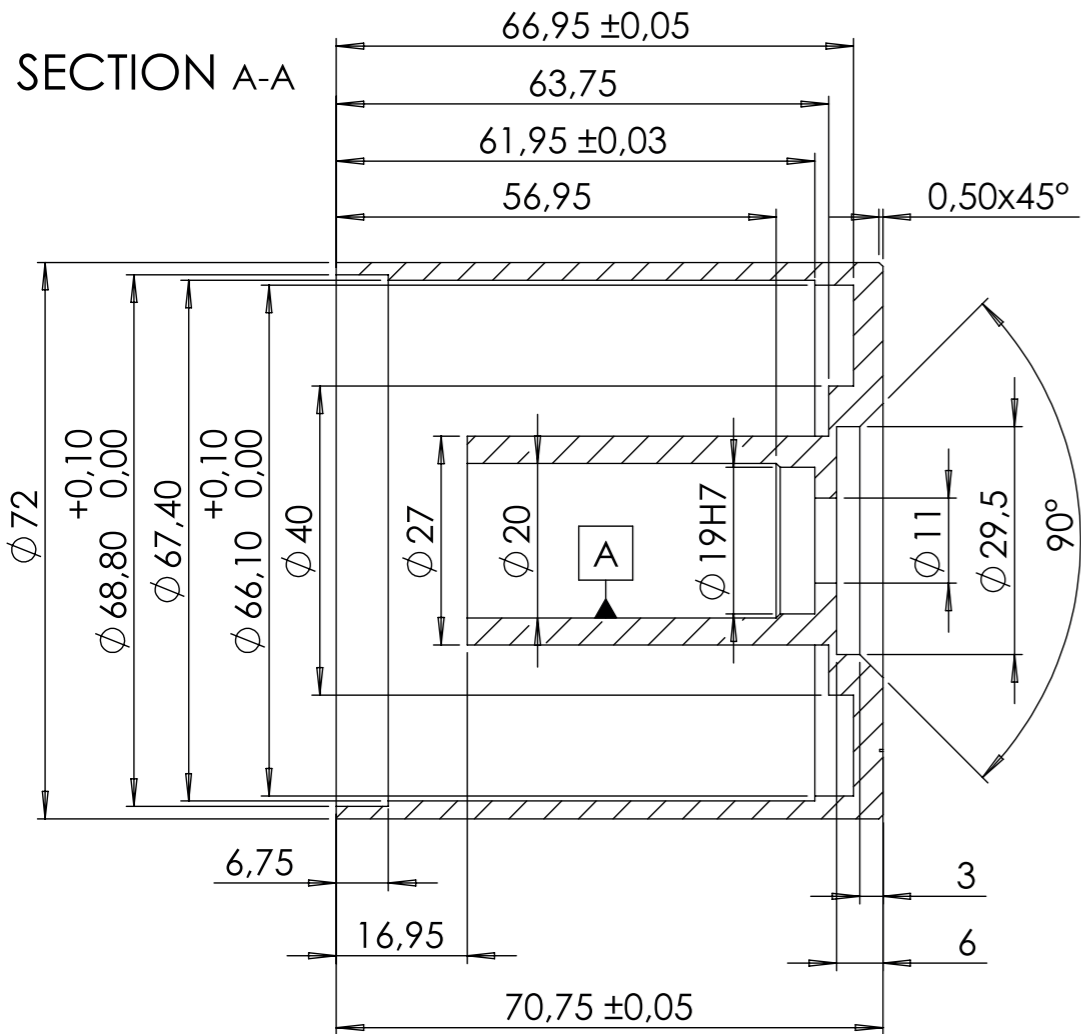
0.05 A

The part must have a perfect aspect. Any marks or default won't be accepted

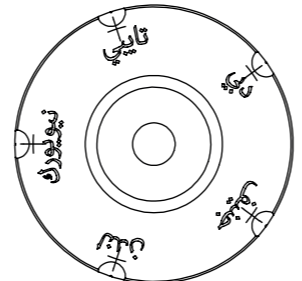
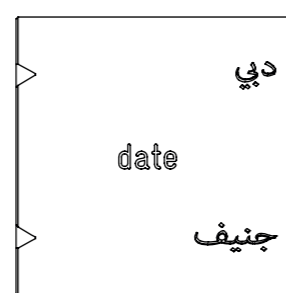
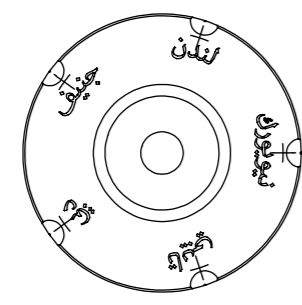
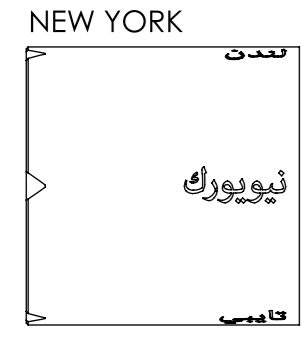
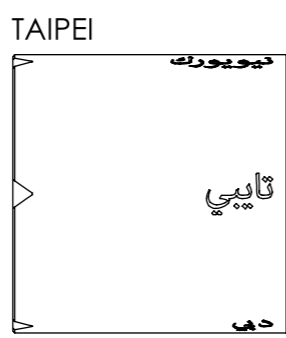
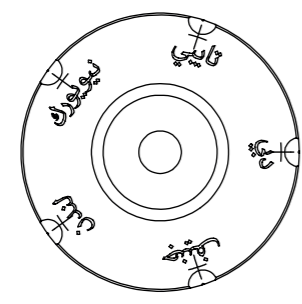
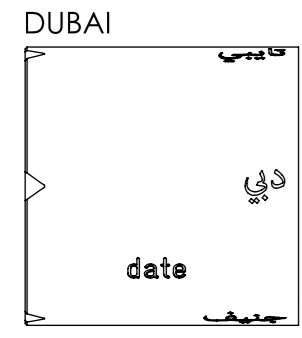
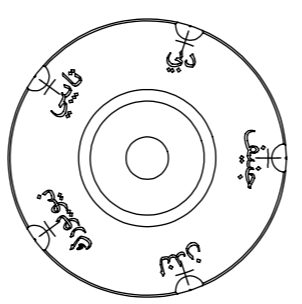
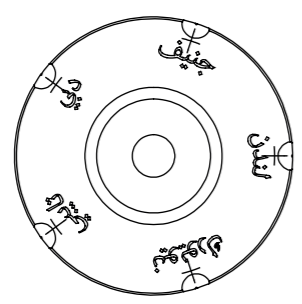


Engraving depth 0,4mm
 Engraving color: Vernis Orange Pantone 1655U

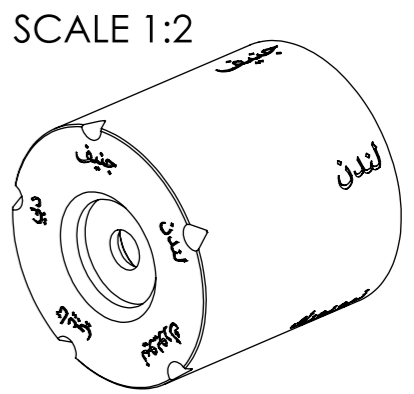
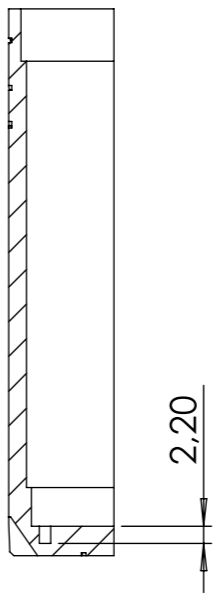
CLIENT:	PIECE NAME: EX_NAMES		
UNIT: mm	MATERIAL: CuZn39Pb3	QUANTITY: 1x	SHEET SIZE: A3
SCALE: 1:1	DRAWN BY: LM	GENERAL TOLERANCES: ISO 2768-mK	
PAGE N°: D00_ADNTV2	ADATTE DESIGN Avenue du Léman 55, 1005 Lausanne - Switzerland +41(0)21 711 26 01 info@adattedesign.ch	MOD.	a b c d



This bore must be always at the same place according to the engraving



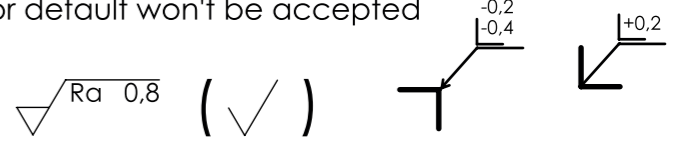
SECTION B-B



All diameters:

⊙ 0.05 A

The part must have a perfect aspect. Any marks or default won't be accepted



Engraving depth 0,4mm
Engraving color: Vernis Orange Pantone 1655U

CLIENT:	PIECE NAME: EX_ARABIC		
UNIT: mm	MATERIAL: CuZn39Pb3	QUANTITY: 1x	SHEET SIZE: A3
SCALE: 1:1	DRAWN BY: LM	GENERAL TOLERANCES: ISO 2768-mK	
PAGE N°: D00_ADNTV2	ADATTE DESIGN Avenue du Léman 55, 1005 Lausanne - Switzerland +41(0)21 711 26 01 info@adattedesign.ch	MOD:	a b c d